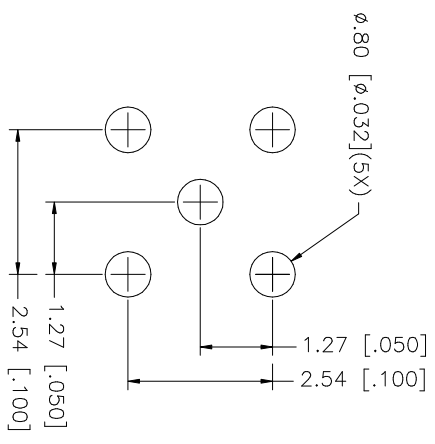
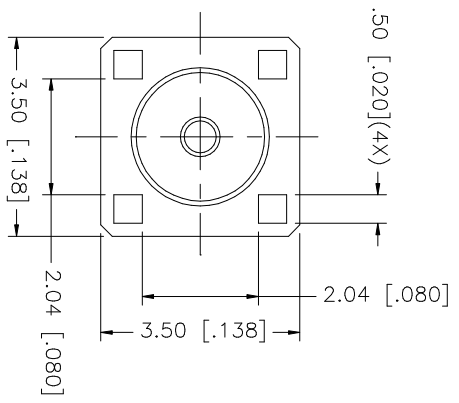
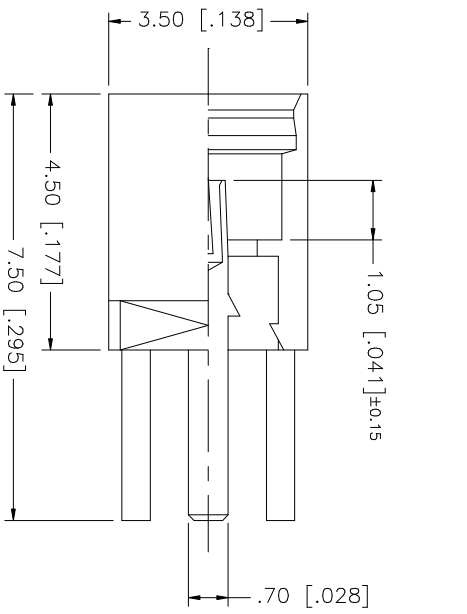


REV.	DATE	DESCRIPTION
NC	03/12/03	INITIAL RELEASE



PCB MOUNTING HOLES

8																			
7																			
6																			
5																			
4																			
3	CONTACT PIN	BER. COPPER	GOLD	1															
2	INSULATOR	TEFLON	NATURAL	1															
1	BODY	BRASS	GOLD	1															
DESCRIPTION		MATERIAL	FINISH	QTY															
					<p>UNLESS OTHERWISE SPECIFIED DIMENSIONS ARE IN MILLIMETERS. DIMENSIONS IN [ ] ARE IN INCHES AND FOR CUSTOMER REFERENCE ONLY.</p> <p>UNLESS OTHERWISE SPECIFIED TOLERANCES FOR MILLIMETERS ARE:</p> <p>0.5 - 8mm ± 0.20mm 8 - 30mm ± 0.40mm 30 - 120mm ± 0.50mm</p> <p>UNLESS OTHERWISE SPECIFIED TOLERANCES FOR INCHES ARE:</p> <p>.020 - .315 = ± 0.007" .315 - 1.180 = ± 0.015" 1.180 - 4.1724 = ± 0.020"</p> <p>DO NOT SCALE DRAWING</p>														
		APPROVALS	DATE																
		DRAWN	G.R.S.	03/12/03															
		CHECKED																	
		ISSUED																	
		SHEET	1 OF 1																
		CAD FILE	C:/262/262104.DWG																
		DWG. NO.	262104.DWG																
		REV.	NC																
		SIZE	A																
		SCALE	NA																
		<p style="text-align: center;"><b>Amphenol Connex</b></p> <p style="text-align: center;">MMCX P.C.B. JACK</p> <p style="text-align: center;">262104</p>																	